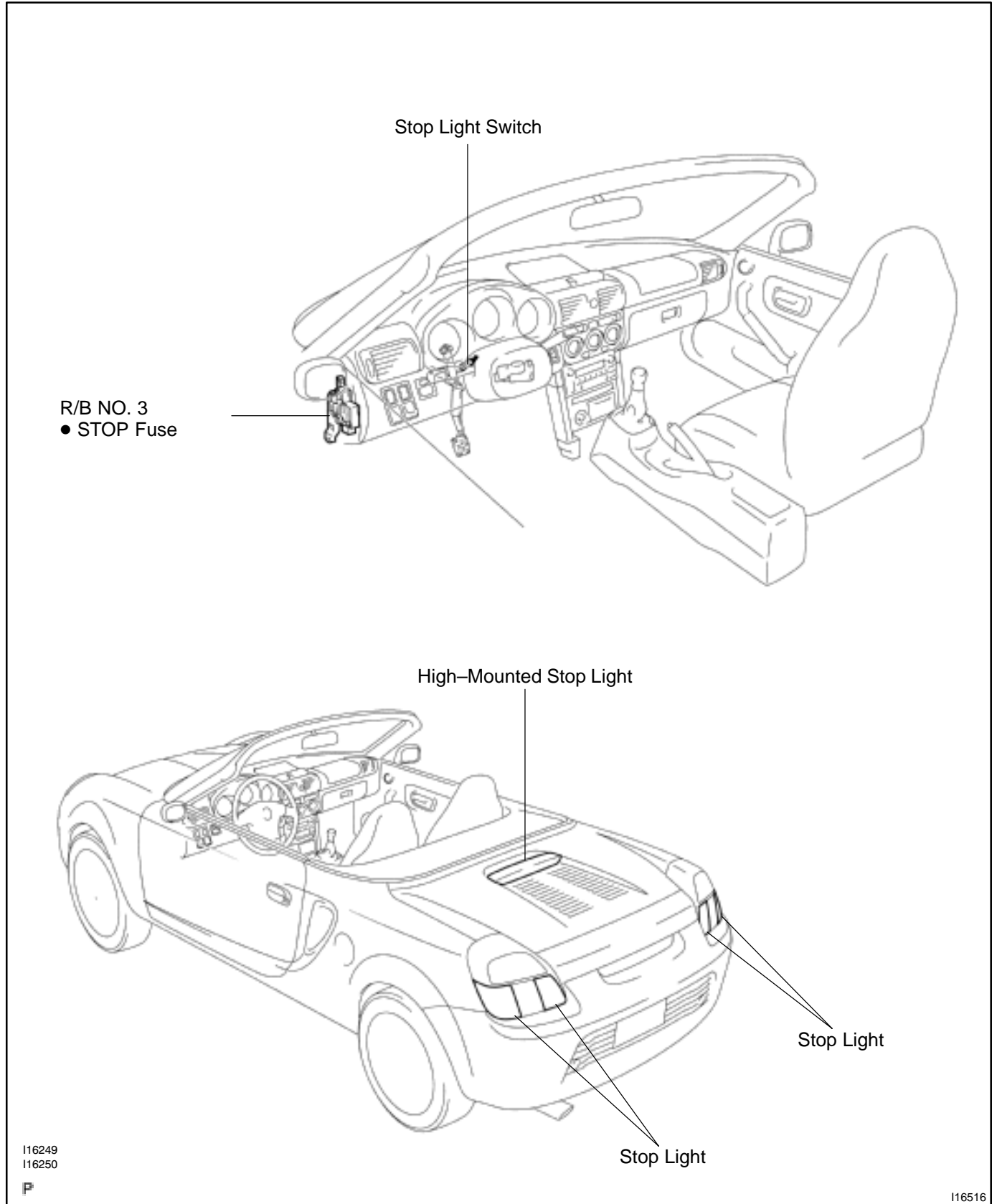


STOP LIGHT SYSTEM LOCATION

BE0P4-04



I16249
I16250

P

I16516